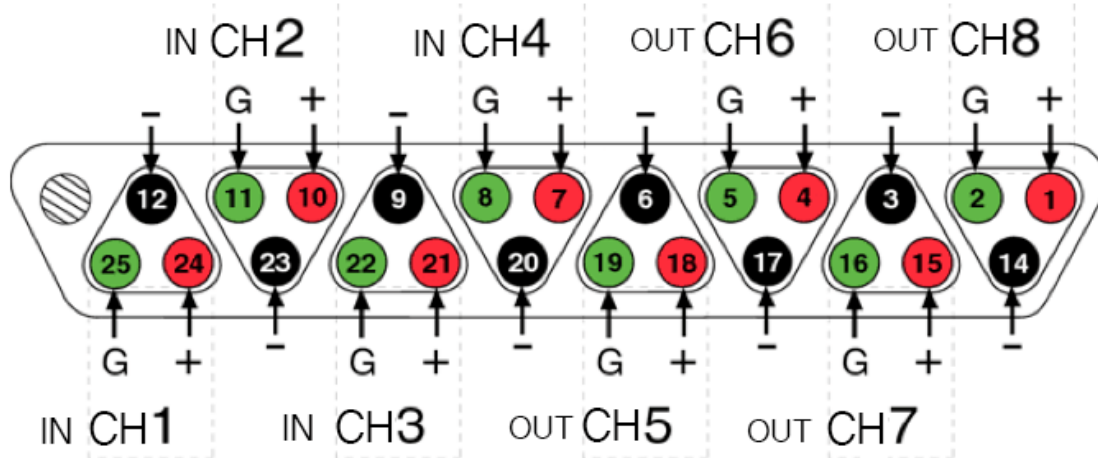


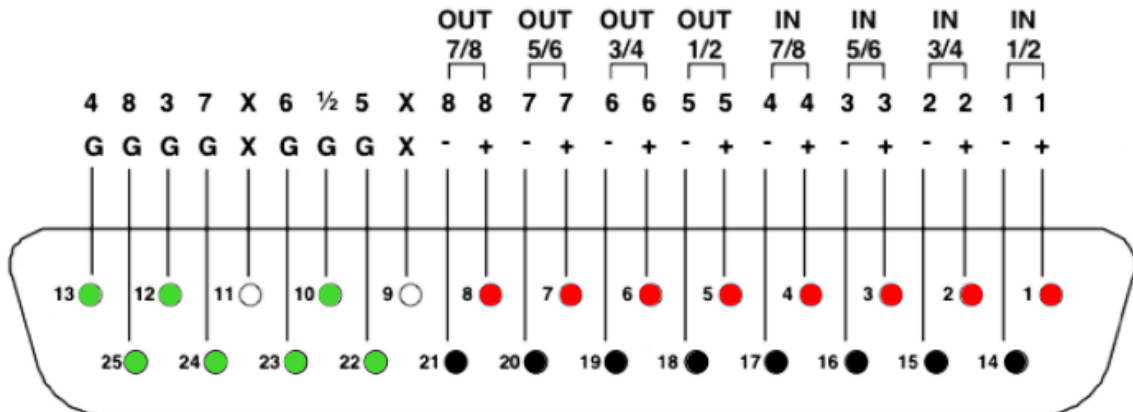
# TASCAM PINOUT



REAR VIEW OF MALE DB-25 CONNECTOR

- = Negative  
 + = Positive  
 G = Ground

# YAMAHA PINOUT



- = Negative  
 + = Positive  
 G = Ground

REAR VIEW OF MALE DB-25 CONNECTOR