



# ASSEMBLY INSTRUCTION

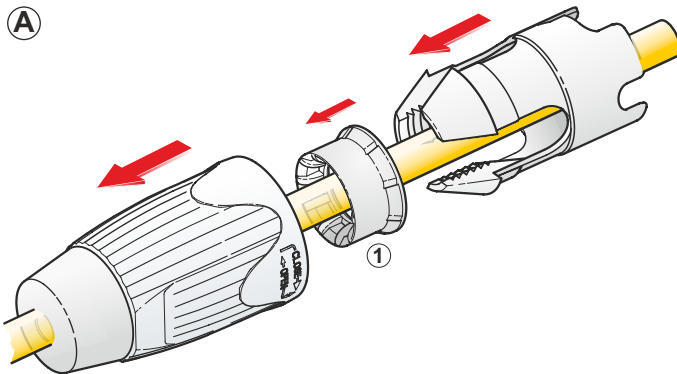
## speakON® STXX Series | NLT8FXX

Lockable 8 pole Loudspeaker Cable Connector with metal housing

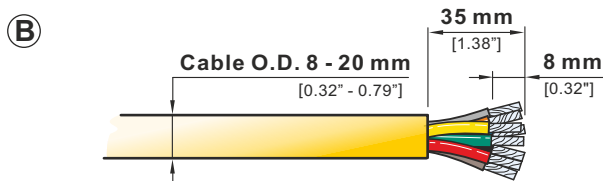
### IMPORTANT SAFETY INSTRUCTION

CAUTION: NOT FOR INTERRUPTING CURRENT  
ATTENTION: NE PAS UTILISER POUR COUPER LE COURANT

Attention: speakON® is not to be used as an AC mains or power supply connector!

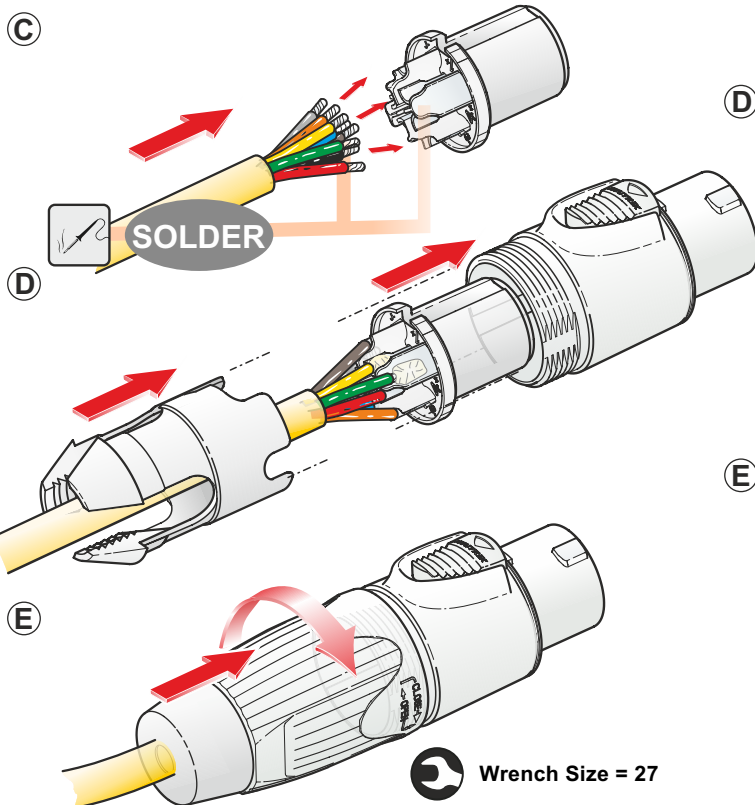
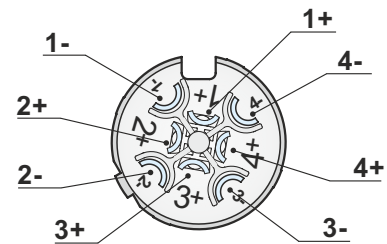


- A** Place bushing and chuck over the cable.  
**If cable O.D.:**  
**Less 16 mm please use reducing piece (1).**



- B** Prepare cable as shown.  
**C** Solder the wire ends to contacts of insert.

#### Wiring:



- D** Slide insert and chuck into housing.  
**Important:** Align the insert by positioning the NEUTRIK to the top of the housing.

- E** Slide the bushing up the cable and tighten it (flat wrench SW 27 mm).



Find more details of speakON on [www.neutrik.com](http://www.neutrik.com).

Neutrik AG LI T: +423 / 237 24 24 F: +423/232 53 93  
Neutrik USA Inc. USA T: +1 704 / 972 3050 F: +1 704/438 9202  
Neutrik (UK) Ltd. UK T: +44 1983 / 811 441 F: +44 1983/811 439  
Neutrik Vertriebs GmbH DE/NL/AT/DK T: +49 8131 / 280 890 F: +49 8131/280 830

Neutrik France FR T: +33 1/4131 6750 F: +33 1/4131 0511  
Neutrik Tokyo Ltd. JP T: +81 3/3663 4733 F: +81 3/3663 4796  
Neutrik Hong Kong Ltd. HK T: +852/2687 6055 F: +852/2687 6052

Draft. Nr.: BDA 615 V2 | Update: 2021-07-06 | Data subject to change without prior notice. © 2021 NEUTRIK®, NEUTRIK® are registered trademark of Neutrik AG. ALL RIGHTS RESERVED.

[www.neutrik.com](http://www.neutrik.com)

**NEUTRIK®**