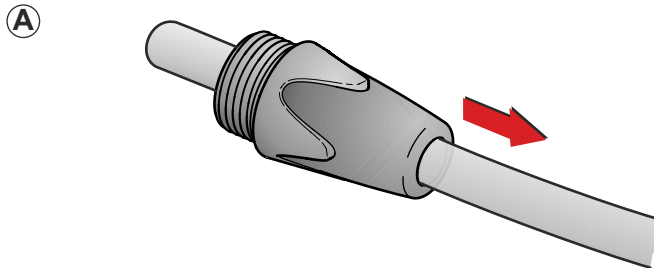




ASSEMBLY INSTRUCTION

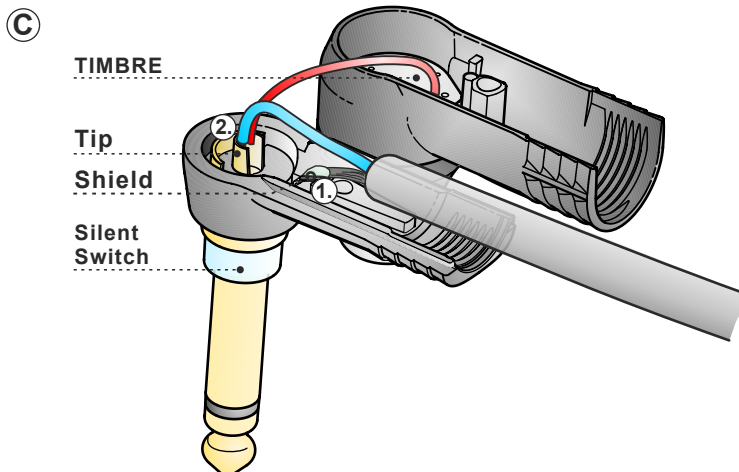
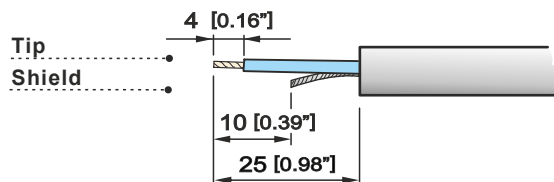
NP2RX-ULTIMATE | 1/4" Guitar - ultimatePLUG



Slide the boot onto the cable.

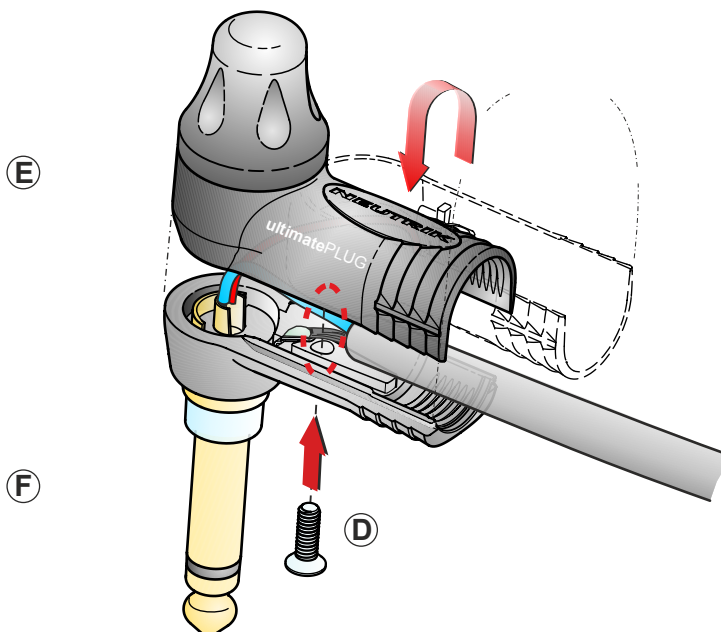
B Cable O.D. 4.0 - 7.0 mm [0.16 - 0.27"]

Prepare cable as shown.



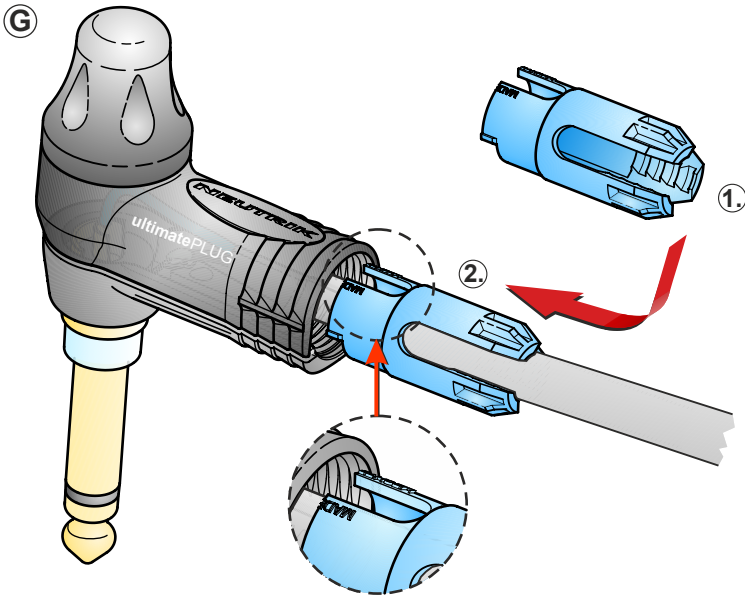
Position the red cover next to the shell:

1. Solder the SHIELD to the ground lug.
2. Solder the red cable (TIMBRE) combined with the hot wire to the TIP lug.



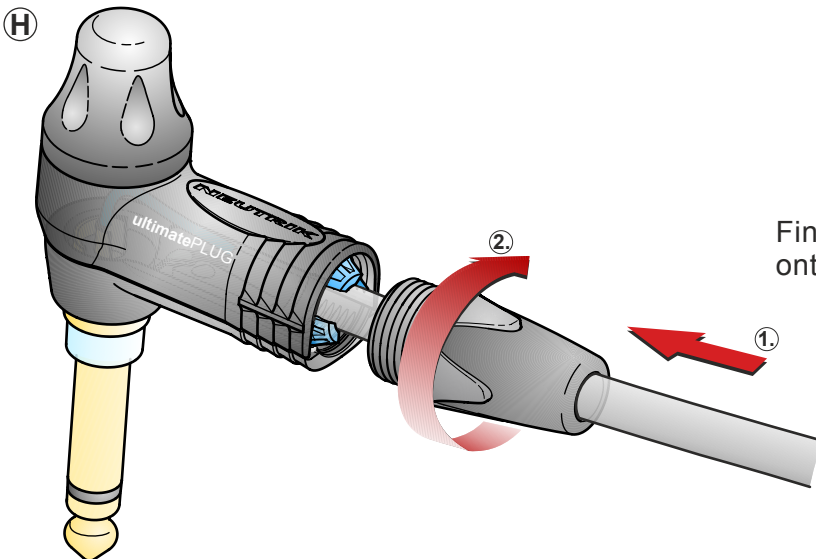
Sliding the screw (D) into the hole and between the wires before

Position the cover on the shell (E) and fix it with a screw driver (POZIDRIV® #1) the screw (F).

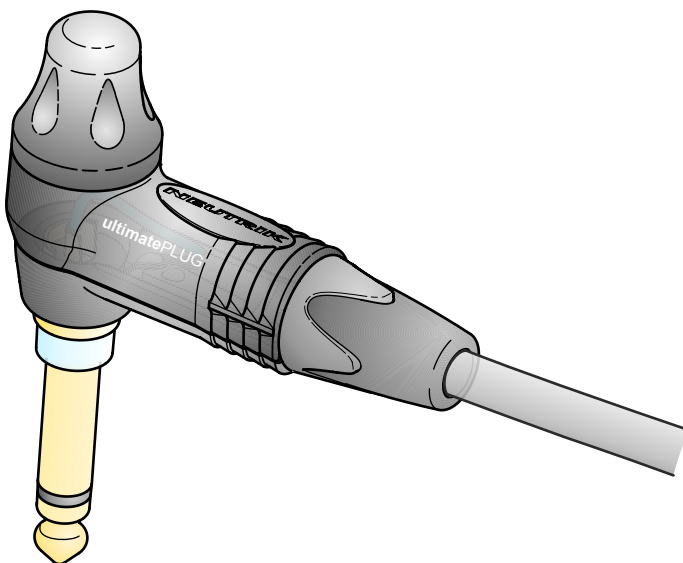


Position the chuck on to the cable and move it into the housing.

Attention: Pay attention to the guiding key of the chuck.



Finish the installation by tighten the bushing onto the connector.



FINISH

NEUTRIK AG LI T: +423 / 237 24 24 F: +423/232 53 93
 NEUTRIK USA Inc. USA T: +1 704 / 972 3050 F: +1 704/438 9202
 NEUTRIK (UK) Ltd. UK T: +44 1983 / 811 441 F: +44 1983/811 439
 NEUTRIK Vertriebs GmbH DE/NL/AT/DK T: +49 8131 / 280 890 F: +49 8131/280 830

NEUTRIK France FR T: +33 1/4131 6750 F: +33 1/4131 0511
 NEUTRIK Tokyo Ltd. JP T: +81 3/3663 4733 F: +81 3/3663 4796
 NEUTRIK Hong Kong Ltd. HK T: +852/2687 6055 F: +852/2687 6052
 NEUTRIK India Pvt. Ltd. IND T: +91/982 05 43 424 F: +91/22 26163 540