



ASSEMBLY INSTRUCTION

RC*F | XLR Female Finger Groove Cable Connector

(A)



(A) Slide the boot onto the cable.

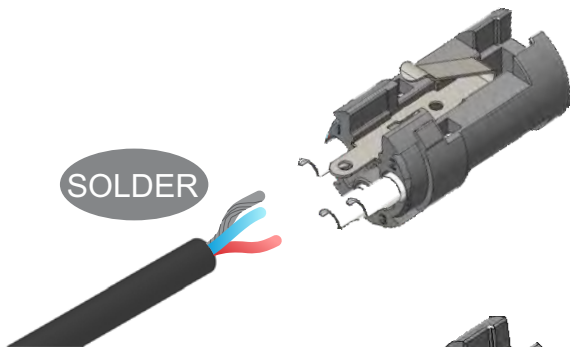
Cable O.D.: 4.0 - 8.0 mm
[0.16- 0.32"]

(B)



(B) Prepare cable as shown.

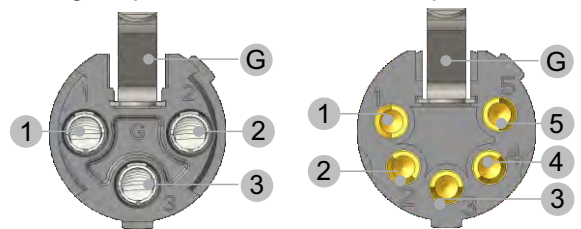
(C)



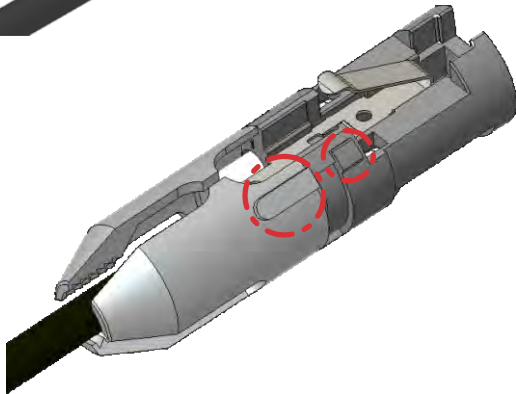
(C) Insert wires into terminals and solder them.

Wiring : 3 pole

5 pole



(D)



(D) Put chuck onto the cable.

Attention: Pay attention to the guiding key

XLR Finger Groove Cable Connectors:
Find more details on
www.rean-connectors.com

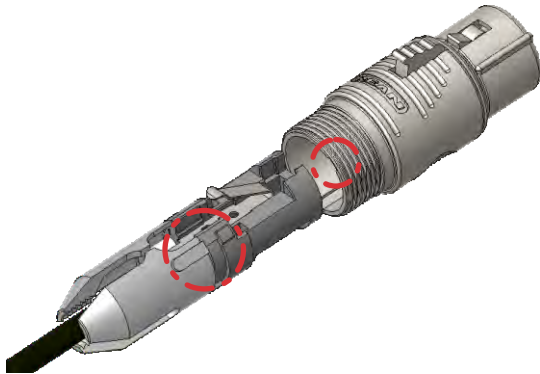


Neutrik AG LI T: +423 / 237 24 24 F: +423/232 53 93
Neutrik USA Inc. USA T: +1 704 / 972 3050 F: +1 704/438 9202
Neutrik (UK) Ltd. UK T: +44 1983 / 811 441 F: +44 1983/811 439
Neutrik Vertriebs GmbH DE/NL/AT/DK T: +49 8131 / 280 890 F: +49 8131/280 830

Neutrik France FR T: +33 1/4131 6750 F: +33 1/4131 0511
Neutrik Tokyo Ltd. JP T: +81 3/3663 4733 F: +81 3/3663 4796
Neutrik Hong Kong Ltd. HK T: +852/2687 6055 F: +852/2687 6052
Neutrik Trading Ltd. CN T: +0574/8825 0833 F: +0574/8826 5000

Draft. Nr.: NCN 001 | Update: 2021-02-24 | Data subject to change without prior notice. © 2021 REAN®. REAN® is registered trademark of Neutrik AG. ALL RIGHTS RESERVED.

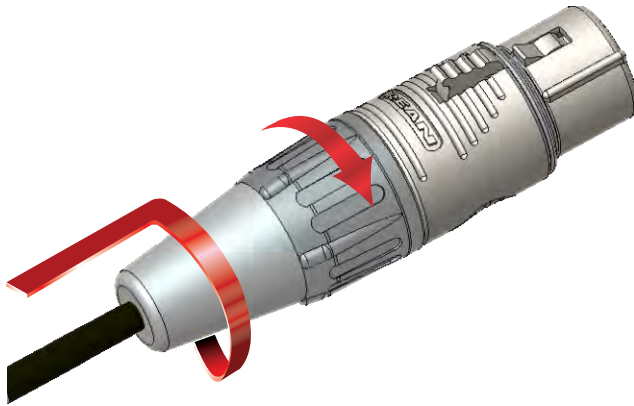
Ⓔ



Ⓔ Slide chuck and insert into the housing.

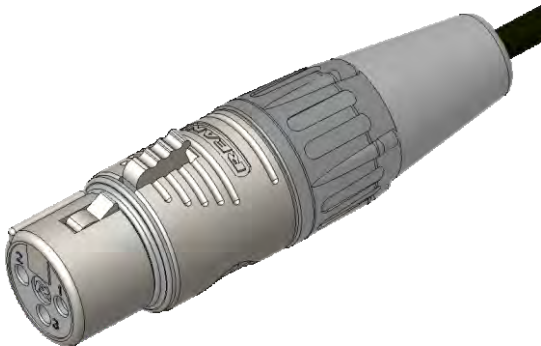
Attention: Align the insert by positioning as shown

Ⓕ



Ⓕ Finish the assembly by turning the bushing onto the connector.

Ⓖ



Ⓖ Finish

XLR Finger Groove Cable Connectors:
Find more details on
www.rean-connectors.com



Neutrik AG LI T: +423 / 237 24 24 F: +423/232 53 93
 Neutrik USA Inc. USA T: +1 704 / 972 3050 F: +1 704/438 9202
 Neutrik (UK) Ltd. UK T: +44 1983 / 811 441 F: +44 1983/811 439
 Neutrik Vertriebs GmbH DE/NL/AT/DK T: +49 8131 / 280 890 F: +49 8131/280 830

Neutrik France FR T: +33 1/4131 6750 F: +33 1/4131 0511
 Neutrik Tokyo Ltd. JP T: +81 3/3663 4733 F: +81 3/3663 4796
 Neutrik Hong Kong Ltd. HK T: +852/2687 6055 F: +852/2687 6052
 Neutrik Trading Ltd. CN T: +0574/8825 0833 F: +0574/8826 5000

Draft. Nr.: NCN 001 | Update: 2021-02-24 | Data subject to change without prior notice. © 2021 REAN®. REAN® is registered trademark of Neutrik AG. ALL RIGHTS RESERVED.